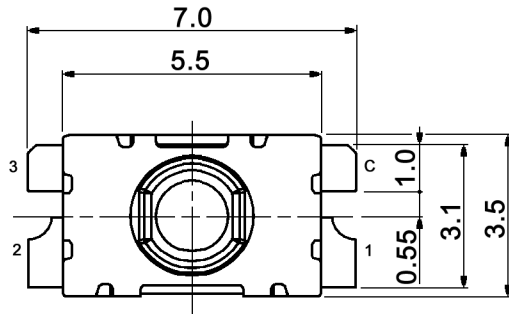
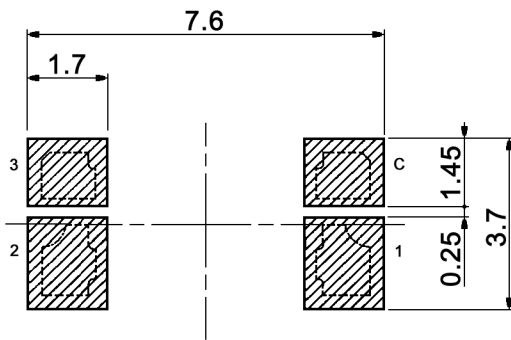


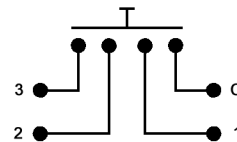
x	Total height
(empty)	5.1
1	5.5



P.C.B. MOUNTING ± 0.05
TOP VIEW



CIRCUIT DIAGRAM



Tolerances: up to 10: ±0.2mm above 10-50: ±0.3mm		Date	Name
		05/09	dr
Rename	03/14	dr	knitter-switch
Revised	01/11	dr	
Modifications	Date	Name	

SSP 129-x T

30 18 12

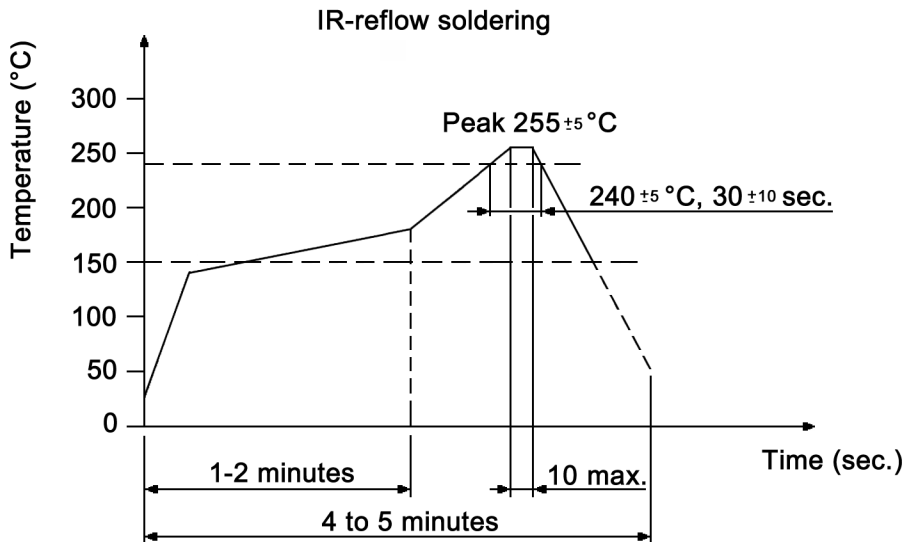
Page

1/3

Specifications:

Contact rating: 0.01mA-0.01A, 20mV-50V DC
Contact resistance: 100mOhm max.
Insulation resistance: 1000MOhm min. at 100V DC for 1 minute
Dielectric strength: 100V AC (50/60Hz, 2mA) for 1 minute
Operating temperature: -10°C to +60°C
Mechanical life: 100 000 cycles
Operating force: 1.1 +/-0.8N
Material: Contact plate: phosphor bronze, gold and silver plated
Case: HTN, black
Cover: stainless steel, natural
Spring: stainless steel, temper
House: PA46, white
Stem: brass, nickel plated
Terminal: phosphor bronze, gold plated

Soldering conditions:



Tolerances: up to 10: ±0.2mm above 10-50: ±0.3mm	Date	Name
	05/09	dr

SSP 129-x T

knitter-switch

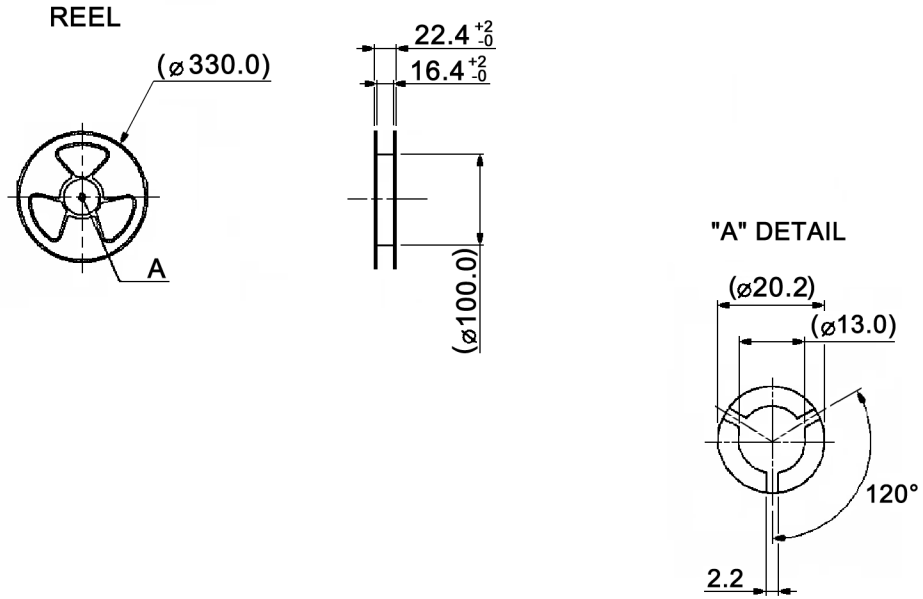
30 18 12

Page

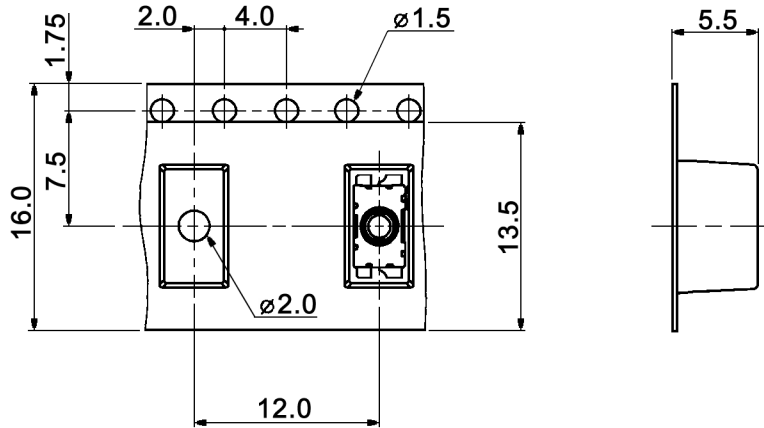
2/3

Modifications	Date	Name

Packaging:



CARRIER TAPE



Packaging unit: 1000 pcs. / reel



Tolerances: up to 10: ±0.2mm above 10-50: ±0.3mm		Date	Name	<h1>SSP 129-x T</h1>
		05/09	dr	
			knitter-switch	<h2>30 18 12</h2>
Modifications				3/3
Date	Name			